

# Moving Transformers on Air

A proven methodology for safe transformer movement.



*Tandem air cushion vehicles transport transformers up to 800 tons.*

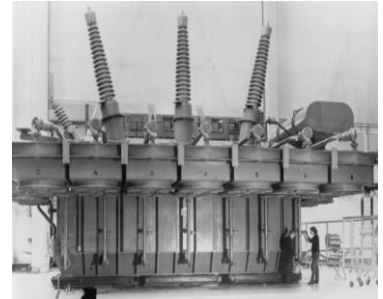
# A short history of transformers moved on air film

Transformers Have Been Moving on Aero-Caster Air Film Handling Systems Since 1968

1968

## First Transformer Manufacturer - Sweden

ASEA, headquartered in Sweden, purchased its first Aero-Caster air film system from AeroGo in December 1968. With this purchase, ASEA pioneered the use of Aero-Caster technology to move transformers through assembly, high-voltage test and transfer onto railway lines to mate them with special railcars for shipment to customers.



1971

## Largest Transformer Moved on Air

In June of 1971, ASEA moved a 360 metric ton transformer, the largest three-phase transformer built by ASEA and also the largest load ever moved on an air film system. By that time, Aero-Casters® had become ASEA's exclusive means to transfer all transformers through production in its Vasteras plant and into and out of the new high-voltage test hall. After several years of extensive comparison tests with all available air cushion and compliant air film bearing load-handling products, ASEA selected the AeroGo Aero-Caster as the exclusive air film solution for use in all plants. ASEA's plants in Sweden established the standard for all new plants built by ASEA and its subsidiaries.

1978

## Aero-Casters Specified in the Building of Plants - South America, Canada

ASEA's Sao Paulo, Brazil, plant was designed around the use of Aero-Casters and is the pioneer in air film transport in Brazil and throughout South America. The design features lower ceilings and fewer overhead cranes, which resulted in significant savings because of the planned use of Aero-Casters. This plant, as well as ASEA's plant in Varennes, Canada, has a production and shipping capacity that exceeds the total capacity of all the company's bridge cranes. ASEA expanded its production capacity considerably in 1978, having also built a large new high-voltage testing facility which exclusively used AeroGo equipment for transport.

1979

## Assembly and Testing Facilities – Global

Beginning In approximately 1979, additional companies from around the world began using the systems and procedures pioneered by ASEA, changing to the use of the Aero-Caster system to move high-tonnage transformers through assembly and/or high-voltage tests.

TODAY

**Air Cushion Vehicles Are a Proven Standard in the Industry as a Means to Move Transformers**

# Transformer Transport Systems

Moving transformers on air bearings has proven to save time and money in transformer production. Transformer manufacturers no longer rely on costly mechanical lift equipment and overhead cranes to perform the handling maneuverability accomplished with air bearings aka Aero-Casters. Air film technology enables increased reliability and safety and at a fraction of the cost of other more expensive methods.



*Transformers move safely and efficiently on air.*

## Key Benefits

One of the major problems faced by many transformer repair facilities is the physical handling of multi-ton power units from the time of delivery to shipment back to the customer. If the handling system is inefficient, the time and labor spent moving the transformers can greatly reduce profits. What's more, the additional turnaround time can put the firm in a non-competitive position. Major benefits realized by the use of air cushion vehicles include:

- Fully integrated, compact design
- Highly maneuverable – turns within its own footprint
- Flexible production paths – no rails, tracks, or beams to limit movement
- Increased safety for personnel, transformers and equipment

- Reduced need for overhead bridge crane handling – use cranes for heavy lifting, not product transfer
- Improved cleanliness and quality of work environment
- Reduced lost work time due to assembly personnel “waiting for a crane”
- Immediately employable – easy, operator-friendly remote control interface
- Low maintenance costs
- High reliability rate



*A single air cushion vehicle floats up to 400 tons.*

## Key Features

AeroGo has developed special pneumatic, hydraulic and electric drive systems to fit the unique demands of each transformer application. Key features include:

- Automatic height control system
- Steerable power drives
- Radio remote control
- Supporting skid
- Electronically controlled hose reel
- Scalable load capacity through proprietary tandem mode option
- Highest reliability in the industry
- ASME B30.1 compliant
- ISO9001 certified and NEMA industrial rated

## About AeroGo

With more than 50 years' experience building transformer transporters for manufacturers worldwide, AeroGo is the proven world leader in the engineering, design, manufacturing and support of materials transport systems.

Companies large and small benefit from our worldwide dealer network, experienced product specialists and skilled engineers. We will work with you to find a load moving solution that is safe, efficient and cost-effective, as your valuable loads are carried through the manufacturing process.

From our Standard Product offerings to our highly customized Engineered Systems, AeroGo has an innovative solution for your load moving needs.

- ☑ Solutions Focused
- ☑ Team Approach
- ☑ Engineering Expertise
- ☑ Lean Manufacturing
- ☑ ISO Compliant

## Contact

### Address

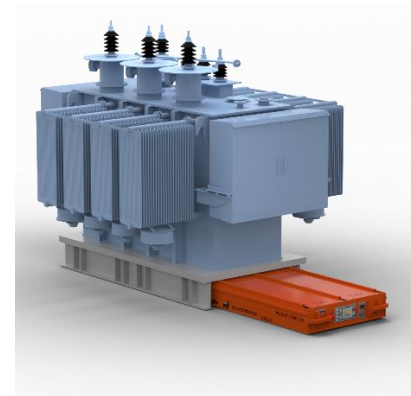
1170 Andover Park W  
Seattle, WA 98188

### Phone

1-866-353-7379  
(001) 206-575-3344

### Email

[info@aerogo.com](mailto:info@aerogo.com)



Innovative Load Moving Solutions

The information contained in this paper is for generalized informational and educational purposes only. It is not designed to substitute for, or replace, professional business advice. You must not rely on the information in the report as an alternative to professional business advice from an appropriately qualified professional. If you have any specific questions about any relevant subject matter, you should consult an appropriately qualified professional. **AeroGo, Inc.** does not represent, warrant, undertake or guarantee that the use of guidance in the report will lead to any particular outcome or result. The views and opinions expressed in this paper represent the opinion of the author(s) and do not necessarily represent the views or opinions of **AeroGo, Inc.**

Copyright © 2017 AeroGo, Inc. All rights reserved.